

# Paper Roll Clamps

## Models AM-RF / AM-RH



The Bolzoni Auramo AM-RF/AM-RH paper roll clamp models are designed for vertical and horizontal handling of single paper rolls. The AM-RF version has a pivoting long arm and a fixed short arm. Thin arm design enables easy tight handling in confined spaces. The AM-RH version is fitted with a pivoting long arm and adjustable short arm. The short arm is positioned hydraulically for handling smaller roll diameters and is actuated when the clamp is rotated to a 45-degree rotation angle.

The well-proven 360-degree rotation unit provides fast and high-torque rotation. The completely closed primary gear unit is working in an oil bath and the secondary drive is grease lubricated.

The simple but robust design makes the clamp easy to service and maintain. Arm pivot pins have bronze bearings and grease nipples. A pressure measurement point and check valve are mounted to the base of the clamping cylinder. A relief valve for clamping pressure is also included as standard.

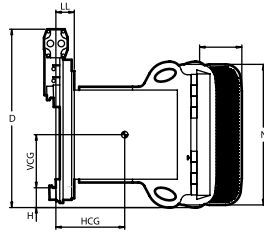
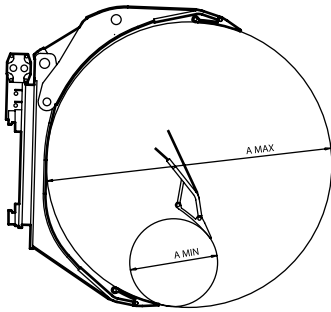
A wide selection of different contact pad friction surfaces make it easy to adapt the clamp for use with varying paper grades.



# Paper Roll Clamps, 360-degree Rotation

## Models AM-RF / AM-RH

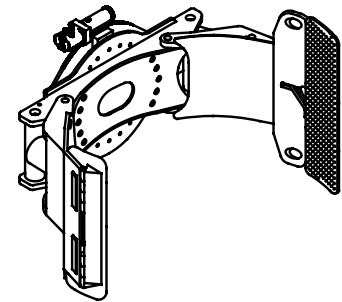
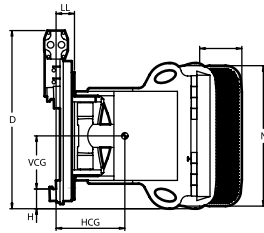
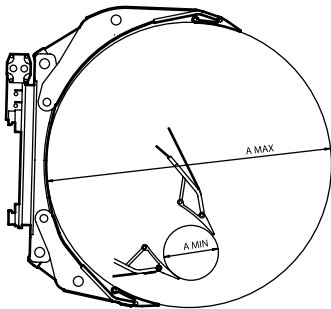
AM-RF



**Range:** 1300 Kg - 1400 Kg

- 360-degree rotating paper roll clamp for vertical and horizontal handling of single rolls.
- Pivoting long arm movement.
- Models AM-RF: Fixed short arm.
- Models AM-RH: Hydraulically positionable short arm with wider roll diameter range.
- Several contact pad options in standard series.
- Mounting angle 1,5°.

AM-RH



Model	Capacity	Load Centre	Roll Range	Height	Weight	Horizontal Centre of Gravity	Vertical Centre of Gravity	Effective Thickness	Contact Pads	Contact Pad Gap	Mounting Height	Mounting Class
	Q kg	BP mm	A mm	D mm	W Kg	HCG mm	VCG mm	LL mm	M x N mm	O mm	H mm	ISO 2328
<b>Fixed short arm</b>												
AM-13RF-11	1.400	575	300-1.150	780	350	230	265	146	200x680	-	110	2 A
AM-13RF-13	1.300	650	400-1.300	780	370	245	265	146	200x680	-	110	2 A
<b>Mobile short arm</b>												
AM-13RH-13	1.300	650	250-1.300	780	420	245	265	146	200x680	-	110	2 A

### Notes:

- Two hydraulic functions.
- Standard contact pads: Cast pad with high-friction surface.

### Options:

- Special roll ranges, for Models AM-RH only.
- Separate sideshift mounting.
- Contact pad options:
  - steel-sprayed
  - rubber faced
  - polyurethane faced.



### BOLZONI INDIA C/O MAIER+VIDORNO

RK PLAZA, SURVEY NO. 206/3, PLOT NO. 17, NEAR ROSARY SCHOOL,  
VIMAN NAGAR, PUNE 411014 INDIA (NORTHERN - CENTRAL INDIA) - TEL. +91 204 913 1000/22

en.bolzonigroup.com - paresh.kothawade@mv-india.com

