

# Rotators

## Models RC



The Bolzoni Auramo RC model rotator is suitable for all applications where the working cycles require load rotation or emptying of containers.

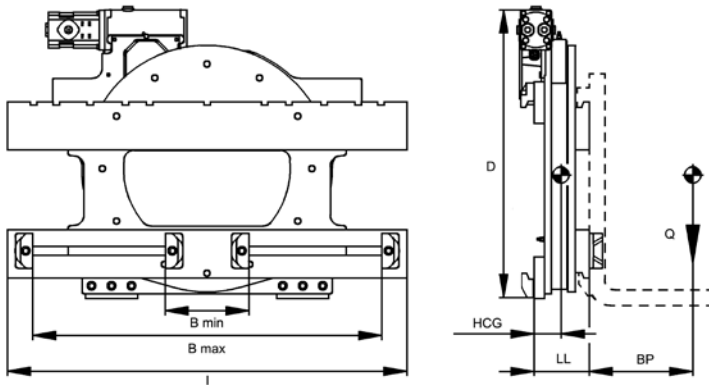
A variety of applications can be found in metallurgical, chemical, automotive, recycling, waste disposal and in food processing operations.

A wide range of capacities ensures that the correct and most-effective unit is selected for every application.

### Features:

- 360-degree rotator with ISO-2328 castellated fork carriage for easy and fast forks positioning. Continuous rotation both ways.
- Safe, easy and fast forks mounting and positioning thanks to new fork fixing system.
- Open centre design and minimized overall dimensions ensure excellent visibility.
- Motor-gear on the right side grants optimal visibility.
- High efficiency hydraulic motor with reduced displacement gives increased speed and high rotation torque with lower use of oil.
- Less maintenance thanks to reduced wear of components.





**Range:** 2000 Kg - 3500 Kg

- 360-degree rotator with ISO-2328 fork carriage for all applications requiring rotation. Commonly used in industries where the working cycles require rotation or emptying of boxes or containers.
- Fork carriage welded to the rotating frame.
- Fast and high-torque rotation.
- Continuous rotation both ways.
- Open centre design, and minimized overall dimensions, ensure excellent visibility.
- New fork fixing system grants safe and easy fork positioning.
- Motor-gear box on the right (driver side) provides optimal visibility.
- Double scraper to protect the bearing.

| Model      | Capacity       | Load Centre     | Fork Carriage Width | Opening Inside Forks | Opening Outside Forks | Weight         | Horizontal Centre of Gravity | Thickness       | Height         | Max. Torque        | Rotation Speed "rpm"     | Mounting Class     |
|------------|----------------|-----------------|---------------------|----------------------|-----------------------|----------------|------------------------------|-----------------|----------------|--------------------|--------------------------|--------------------|
|            | <i>Q</i><br>kg | <i>BP</i><br>mm | <i>I</i><br>mm      | <i>B min.</i><br>mm  | <i>B max.</i><br>mm   | <i>W</i><br>Kg | <i>HCG</i><br>mm             | <i>LL</i><br>mm | <i>D</i><br>mm | <i>CN</i><br>kg/mt | <i>DC</i> ①<br>giri/min. | <i>ISO</i><br>2328 |
| RC 20 10A  | 2.000          | 500             | 980                 | 178                  | 866                   | 170            | 76                           | 142             | 722            | 618                | 4,4                      | 2 A                |
| RC 25 10A  | 2.500          | 500             | 980                 | 178                  | 866                   | 183            | 76                           | 142             | 744            | 837                | 4,4                      | 2 A                |
| RC 25 107A | 2.500          | 500             | 1.070               | 178                  | 956                   | 185            | 76                           | 142             | 744            | 837                | 4,4                      | 2 A                |
| RC 25 120A | 2.500          | 500             | 1.200               | 178                  | 1.086                 | 195            | 76                           | 142             | 744            | 837                | 4,4                      | 2 A                |
| RC 25 15A  | 2.500          | 500             | 1.500               | 178                  | 1.386                 | 225            | 76                           | 142             | 744            | 837                | 4,4                      | 2 A                |
| RC 35 11B  | 3.500          | 500             | 1.150               | 245                  | 1.001                 | 307            | 83                           | 159             | 860            | 1.227              | 5,4                      | 3 A                |
| RC 35 14B  | 3.500          | 500             | 1.400               | 245                  | 1.251                 | 316            | 83                           | 159             | 860            | 1.227              | 5,4                      | 3 A                |
| RC 35 15B  | 3.500          | 500             | 1.550               | 245                  | 1.401                 | 326            | 86                           | 159             | 860            | 1.227              | 5,4                      | 3 A                |

### Notes:

- One hydraulic function.
- Rotators are delivered without forks. The majority of lift truck forks can be used without any modifications.
- Forks are available on request, please consult Bolzoni.
- The lower hooks of the forks must be capable of carrying the rotators rated capacity.
- ① Rotation speed with recommended oil flow rate.
- ② Models FG100 with double reduction unit motor.
- For lift truck with a very low oil flow it is advisable to fit a double pilot check valve to the motor unit inlet.
- If the lift truck connection pressure exceeds the maximum operating pressure, separate pressure relief valves are required.

### Options:

- Other fork carriage widths available, please consult Bolzoni.
- ISO 2328 Separate sideshifting mounting.
- ISO 2328 Lower Quick Disconnect Hooks.
- Pressure relief valve for one hydraulic function. Choose this option if the lift truck hydraulic pressure exceeds the maximum connection pressure of the attachment.
- Rotation stop at 180° with hydraulic dumper.
- Side support fork arm.
- Hydraulic motors with different displacement to vary rotation speed.
- Special zinc-based painting for application in corrosive environments.
- Fishery version.
- Foundry version.
- Hooking to rotate and to empty cases or boxes.



### BOLZONI INDIA C/O MAIER+VIDORNO

RK PLAZA, SURVEY NO. 206/3, PLOT NO. 17, NEAR ROSARY SCHOOL,  
VIMAN NAGAR, PUNE 411014 INDIA (NORTHERN - CENTRAL INDIA) - TEL. +91 204 913 1000/22

[en.bolzonigroup.com](http://en.bolzonigroup.com) - [pares.kothawade@mv-india.com](mailto:pares.kothawade@mv-india.com)

